

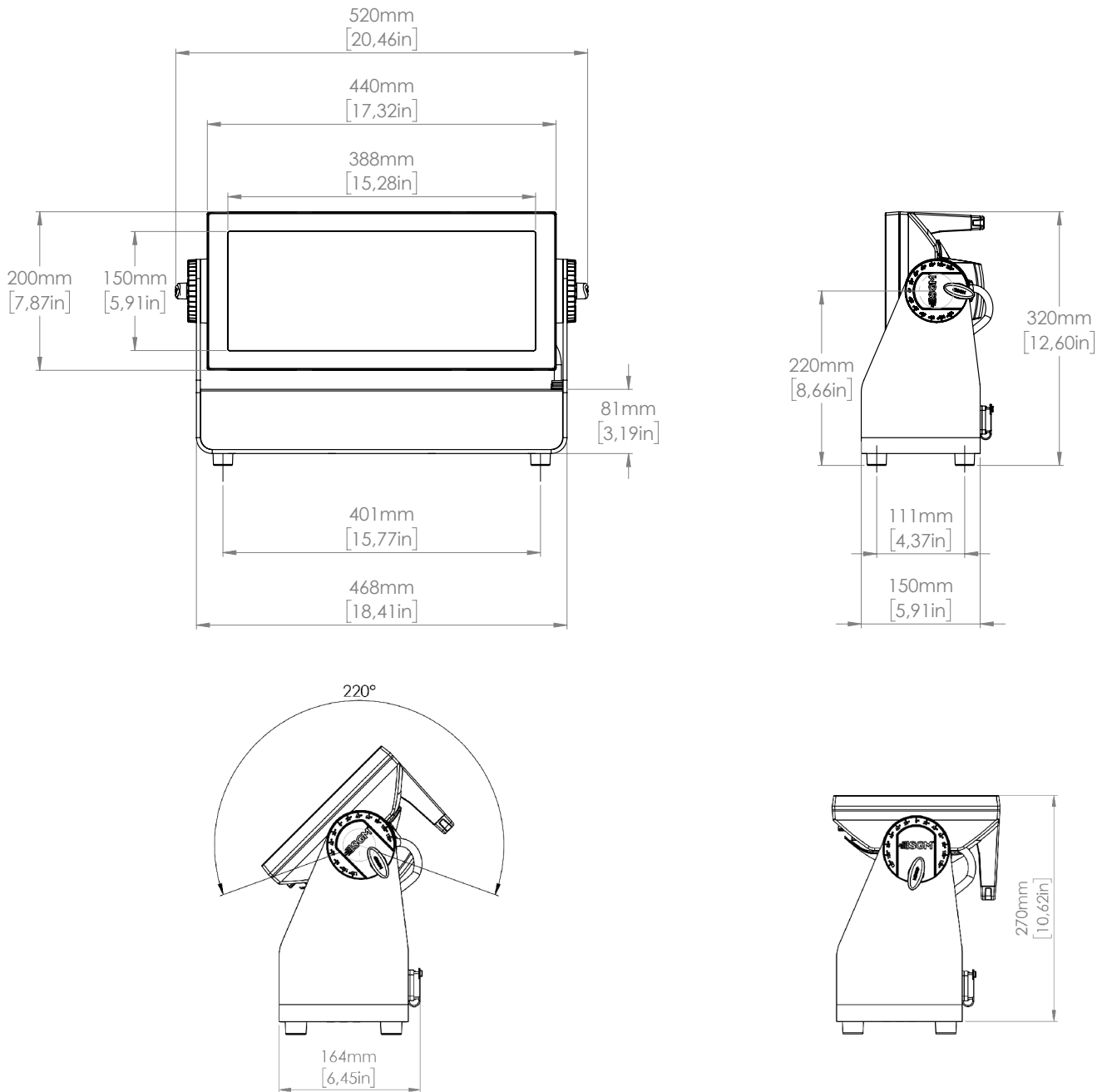
USERMANUAL

Q8



DIMENSIONS

STANDARD VERSION

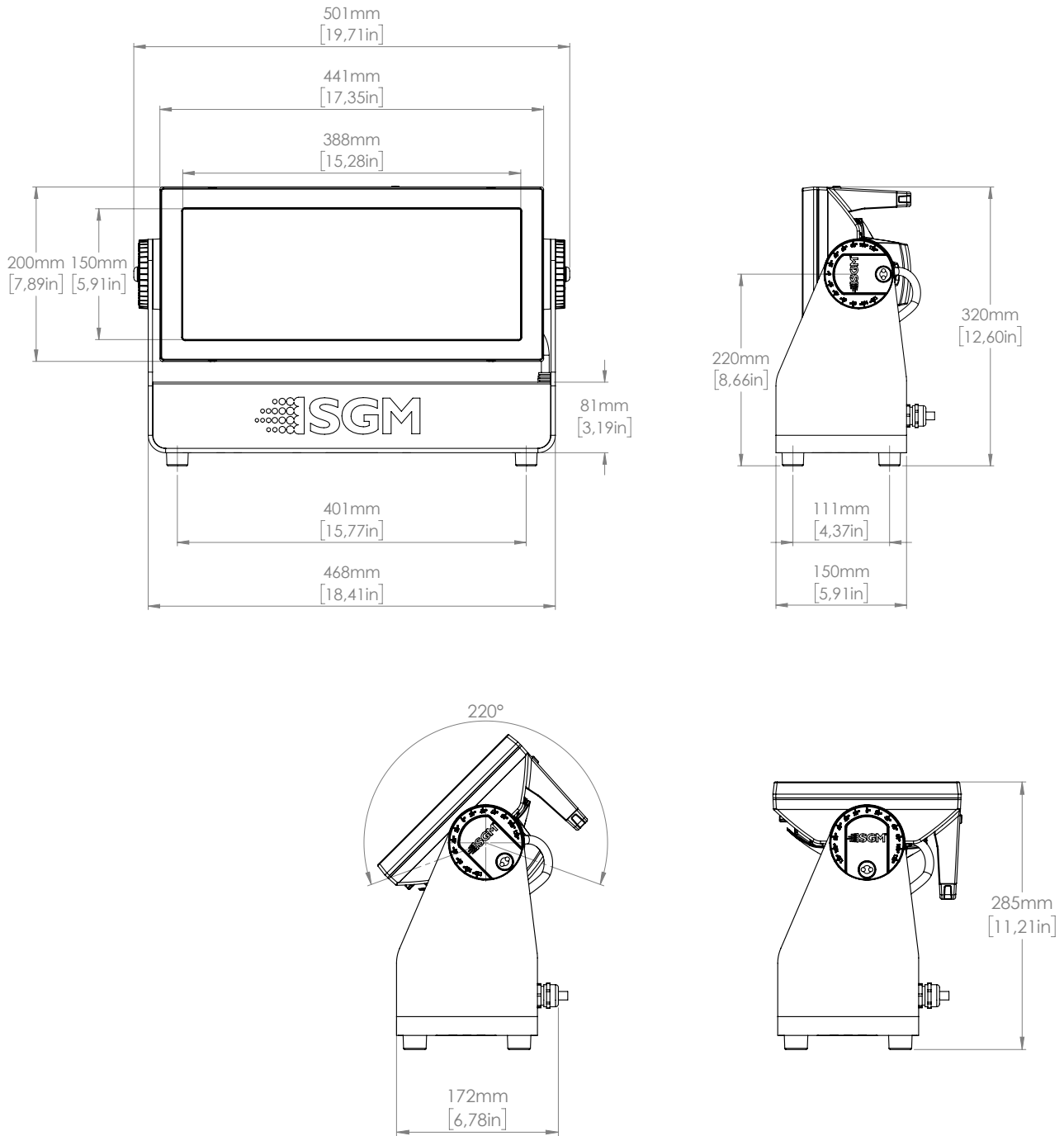


All dimensions in millimeters and inches. Drawing not to scale

This manual covers installation, use, and maintenance of the SGM Q Series. A digital version is available at www.sgmlight.com or upon request via support@sgmlight.com. The information in this document is subject to change without notice. SGM and all affiliated companies disclaim liability for any injury, damage, direct or indirect loss, consequential or economic loss, or any other loss occasioned by the use of, inability to use, or reliance on the information contained in this manual. The SGM logo, the SGM name, and all other trademarks in this document pertaining to SGM services or SGM products are trademarks owned or licensed by SGM, its affiliates, and subsidiaries. This edition applies to firmware version 2.23 or later.

English edition © 2023 SGM Light A/S®.

POI VERSION



All dimensions in millimetres and inches. Drawing not to scale

2 DIMENSIONS

- 2 Standard version
- 3 POI version

6 SAFETY INFORMATION

7 BEFORE INSTALLING THIS PRODUCT

8 INSTALLATION STANDARD FIXTURE

- 8 Identification and terminology
- 9 Unpacking
- 9 Application considerations
- 9 Transport & handling
- 9 Rigging
- 10 Rigging process using SGM Omega brackets
- 11 Tilt lock
- 11 Power requirements
- 12 Connecting power
- 12 Connecting data
- 12 Connecting a wireless transmitter
- 12 Signal priority

13 INSTALLATION POI FIXTURE

- 13 Identification and terminology
- 14 Unpacking
- 14 Application considerations
- 14 Connecting temporary Power
- 15 Connecting temporary signal
- 16 Settings and Fixture Defaults
- 17 Wireless Data Connection
- 17 LED Indicator Behaviour
- 18 Mounting
- 18 Brackets
- 19 Flat Bracket attachment
- 19 Omega Bracket attachment
- 20 Universal Bracket attachment
- 21 Wall Bracket attachment
- 22 POI Tilt Lock
- 23 Permanently Connecting Power & Data
- 24 Wireless

24 USER INTERFACE

- 24 Using the display panel
- 24 Shortcuts

25 DISPLAY

- 25 Operational mode (A)
- 25 DMX Address (B)
- 25 External data indicator (C)
- 25 External data protocol (D)
- 25 Error Indicator

26 CONFIGURING THE DEVICE FOR DMX CONTROL

- 26 About DMX
- 26 DMX Start address
- 26 Set/edit DMX address
- 26 Setting the DMX mode
- 26 DMX charts

27 SETTING A STATIC COLOR MANUALLY

27 USING STANDALONE OPERATION

28 FIXTURE PROPERTIES

- 28 Factory default
- 28 LED Engine
- 29 Individual fixture settings

30 CONTROL MENU

32 RDM

- 32 Supported RDM functions
- 32 Sensors

33 ACCESSORIES

- 33 Barndoors
- 34 Anti-glare shields
- 34 Filter frames

35 MAINTENANCE

- 35 SGM Vacuum Test kit
- 36 Firmware Updates
- 37 Cleaning
- 37 Maintenance Schedule
- 37 Maintenance Notes

38 TROUBLESHOOTING

39 FIXTURES AND ACCESSORIES

- 39 Ordering information

40 SUPPORT HOTLINE

40 APPROVALS AND CERTIFICATIONS

41 USER NOTES



WARNING! READ THE FOLLOWING SAFETY PRECAUTIONS CAREFULLY BEFORE UNPACKING, INSTALLING, POWERING OR OPERATING THE DEVICE.



SGM fixtures are intended for professional use only. They are not suitable for household use.

Les fixtures SGM sont impropres à l'usage domestique. Uniquement à usage professionnel.

This product must be installed in accordance with the applicable installation code by a person familiar with the construction and operation of the product and the hazards involved.

Ce produit doit être installé selon le code d'installation pertinent, par une personne qui connaît bien le produit et son fonctionnement ainsi que les risques inhérents.



DANGER! RISK OF ELECTRIC SHOCK DO NOT OPEN THE DEVICE!

- Always power off/unplug the fixture before removing covers or dismantling the product.
- Ensure that the mains power is cut off when wiring the device to the AC mains supply.
- Ensure that the device is electrically connected to earth (ground).
- Do not apply power if the device or mains cable is in any way damaged.
- Do not immerse the fixture in water or liquid.



WARNING! TAKE MEASURES TO PREVENT BURNS AND FIRE!

- Install in a location that prevents accidental contact with the device.
- Install only in a well-ventilated space.
- Install at least 0.3 m (12 in.) away from objects to be illuminated.
- Install only in accordance with applicable building codes.
- Ensure a minimum clearance of 0.3 m (12 in.) around the cooling fans.
- Do not paint, cover, or modify the device, and do not filter or mask the light.
- Keep all flammable materials well away from the device.

**ALLOW THE DEVICE TO COOL FOR 15 MINUTES AFTER OPERATION BEFORE TOUCHING IT
CAUTION: EXTERIOR SURFACE TEMPERATURE AFTER 5 MIN. OPERATION = 42°C (108°F).
STEADY STATE = 48°C (118°F).**



WARNING! TAKE MEASURES TO PREVENT PERSONAL INJURY. DO NOT LOOK DIRECTLY AT THE LIGHT SOURCE FROM CLOSE RANGE.

- Take precautions when working at height to prevent injury due to falls.
- For Permanent Outdoor Installations (POI), ensure that the fixture is securely fastened to a load-bearing surface with suitable corrosion-resistant hardware.
- For a temporary installation with clamps, ensure that the quarter-turn fasteners are turned fully and secured with a suitable safety cable. The standard safety wire cable must be approved for a safe working load (SWL) of 10 times the weight of the fixture, made of a grade AISI 316 steel, and it must have a minimum gauge of 4 mm.
- For elevated installations, secure the fixture with suitable safety cables, and always comply with relevant load dimensioning, safety standards, and requirements.

BEFORE INSTALLING THIS PRODUCT

Please visit the SGM official website at www.sgmlight.com for the latest version of this user manual/ safety information leaflet. Due to continuous improvements, the instructions may change without notice. SGM always recommends the latest available firmware version from www.sgmlight.com.



EXTERNAL CLEANING AND VISUAL INSPECTION OF THE FIXTURE

All users of the SGM fixtures should regularly clean those parts of the fixture directly exposed to the elements, such as the external housing and front lenses. Additionally, all owners of the SGM fixtures must periodically check the external housing of the fixture for structural breaks, deterioration, cracked lenses, or loose screws. To ensure proper operation, but also to prevent the risk of potential accidents, do not use the fixture if the lens, housing, or power cables are damaged. If parts of the fixture appear to be missing, cease use immediately and contact SGM support.



WIRING AND CONDUIT/ CONTAINMENT

SGM fixtures supplied with power and data cable leads are not intended for installation in permanently installed conduit or containment. When installing the fixtures in a permanent installation, ensure cable leads are installed as a service loop to an appropriately rated junction box using suitable cable strain reliefs/glands. All installed fixtures must be securely mounted, and service loop appropriately protected for installation location. All electrical wiring and connections should be completed by a qualified electrician.



SAFETY PRECAUTIONS

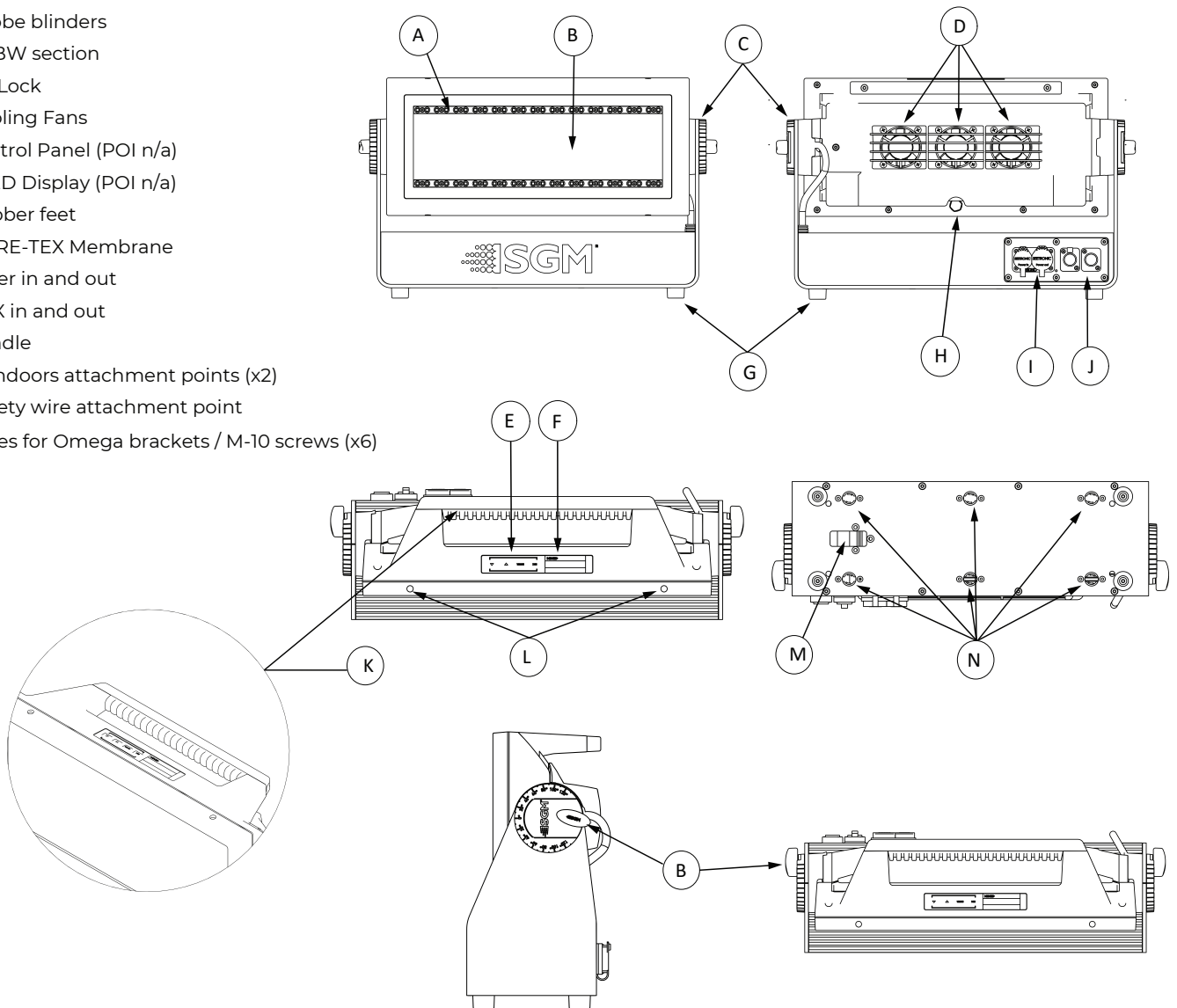
When using electrical equipment, basic safety precautions should always be followed including the following:

- Do not mount near gas or electric heaters.
- Permanently installed equipment should be mounted in locations and at heights where it will not be readily subjected to tampering by unauthorized personnel.
- The use of accessory equipment not recommended by the manufacturer may cause an unsafe condition.
- Do not use this equipment for other than intended use.
- Refer service to qualified personnel or authorized service centers.
- Do not look directly into the beam for long periods of time, when the fixture is on.
- The fixture shall, under no circumstance, be covered with insulating material of any kind.

READ AND FOLLOW ALL SAFETY INSTRUCTIONS.

IDENTIFICATION AND TERMINOLOGY

- A: Strobe blinders
- B: RGBW section
- C: Tilt Lock
- D: Cooling Fans
- E: Control Panel (POI n/a)
- F: OLED Display (POI n/a)
- G: Rubber feet
- H: GORE-TEX Membrane
- I: Power in and out
- J: DMX in and out
- K: Handle
- L: Barndoors attachment points (x2)
- M: Safety wire attachment point
- N: Holes for Omega brackets / M-10 screws (x6)



Illustrations might vary from received products. This is subject to change without notice.

UNPACKING

Unpack the device and inspect it to ensure that it has not been damaged during transport.

The fixture is shipped with:

- 2 x Omega bracket with 1/4-turn fasteners (standard version)
- Safety information leaflet
- 2 m IP66 power cable pigtail

APPLICATION CONSIDERATIONS

The standard version is IP66-rated and is designed for both indoor and outdoor operation. It is protected from:

- Dust, to the degree that dust cannot enter the fixture in sufficient quantities as to interfere with its operation.
- High pressure water jets of water from any direction.

When using standard fixtures outdoors or in wet locations, ensure that:

- The DMX connection out of the last fixture in a chain is properly sealed, in accordance with the ingress protection (IP) requirements.
- The DMX out of the last fixture is terminated with a 120 Ohm resistor between pin 2 and 3 (as per RS485 standards).

When selecting a location for the device, ensure that:

- It is situated away from public thoroughfares and protected from contact with people.
- It has adequate ventilation.
- It is not immersed or submerged in water.

TRANSPORT & HANDLING

Always use the supplied packaging or suitable flight case for transportation and storage. Never carry the fixture by connected cables or wires.

RIGGING

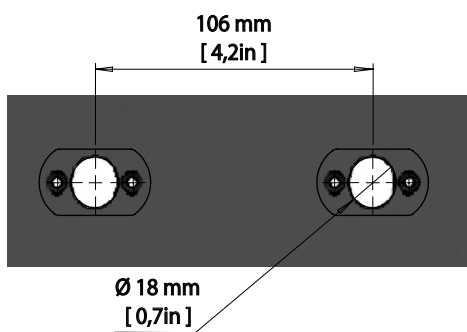


Figure 1: Locking points

The fixture may be installed in any orientation, on the ceiling or on a wall surface.

When installed horizontally with a downward beam-angle, water or dirt can potentially pool in the fan wells. Under normal operation the moisture will evaporate.

In locations with high rainfall, consider locating the fixture under cover or an overhang, or modify the position and orientation of the fixture to minimize pooling.

All SGM fixtures have locking points in the base for installation and rigging. In both standard and POI fixtures, the distance between the points from center to center is always 106 mm. Standard versions include 1/4 turn fasteners to mount SGM omega brackets. POI versions come with M-10 captive nuts for M-10 screws.

Always use the supplied omega bracket to rig a standard fixture. Lock the bracket with the 1/4-turn fasteners.

PLEASE NOTE! 1/4-TURN FASTENERS ARE ONLY LOCKED WHEN TURNED FULLY CLOCKWISE. DEPENDING ON THE STRUCTURE, PLEASE USE APPROPRIATE AND SECURE METHODS FOR MOUNTING THE OMEGA BRACKETS.

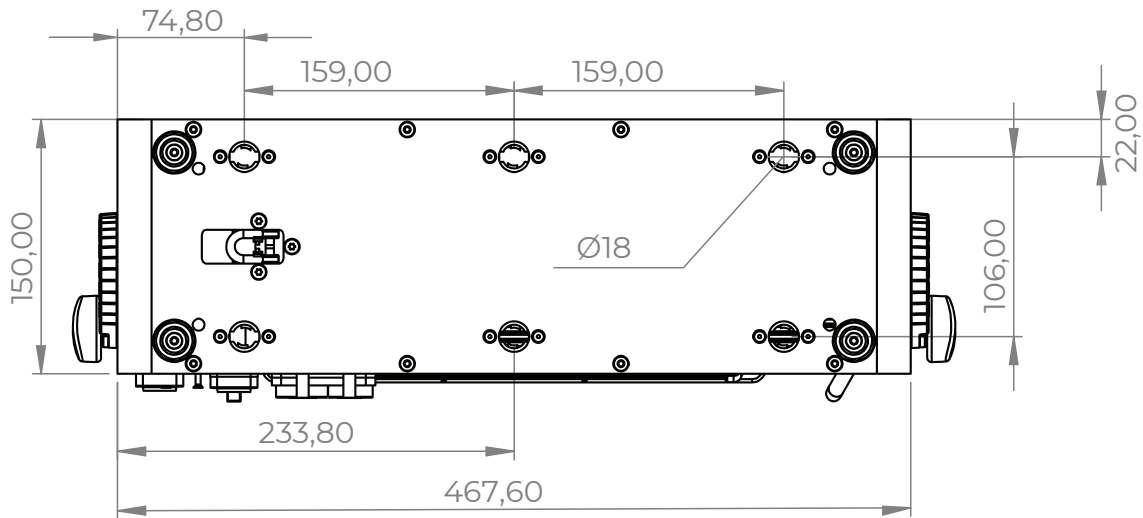


Figure 2: Dimensions for base locking points

RIGGING PROCESS USING SGM OMEGA BRACKETS

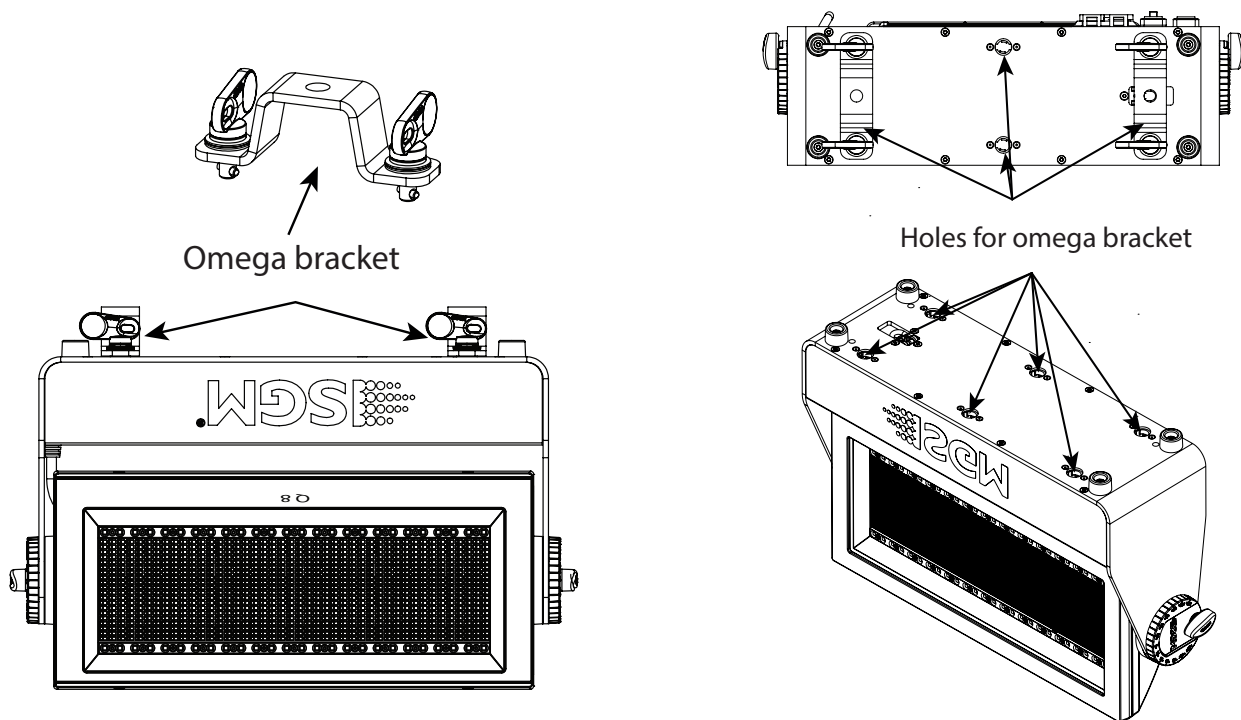


Figure 3.1 : Omega bracket attachment

Figure 3.2 : Base with Omega brackets



WARNING! ALWAYS USE MIN. 2 OMEGA BRACKETS WHEN RIGGING THE FIXTURE.

Start the rigging process by blocking the lower working area, and make sure the work is performed from a stable platform.

1. Check that the clamp/bracket is undamaged and can bear at least 10 times the weight of the fixture. Check that the structure can bear at least 10 times the weight of all installed fixtures, lamps, cables etc.
2. Bolt the clamp/bracket securely to the omega bracket with a M12/ 1/2" bolt (min. grade 8.8) and a lock nut.
3. Align the omega bracket(s) with two 1/4 turns of the Q-8 base. For standard Omega Bracket, insert the fasteners into the Q-8 base bracket, and turn both levers a full 1/4-turn clockwise to lock.
4. Working from a stable platform, hang the fixture on a truss or other structure. Tighten the clamp/bracket.

5. Install a safety wire that can bear at least 10 times the weight of the fixture. The safety wire attachment point is designed to fit a carabiner AISI316 grade.
6. Verify that there are no combustible materials, cables, or surfaces to be illuminated within 0.3 m (12 in) of the fixture.
7. Check that there is no risk of the head/yoke colliding with other fixtures or structures.



WARNING! ALWAYS SECURE AN ELEVATED FIXTURE WITH A SAFETY WIRE. ALWAYS USE A SAFETY WIRE OF A GRADE AISI 316 STEEL. MAKE SURE THE SLACK OF THE SAFETY WIRE IS AT A MINIMUM. NEVER USE THE YOKE/HANDLE FOR SECONDARY ATTACHMENT.



Figure 4: Safety wire attachment point

Fasten a safety wire (not shown) between the load-bearing support structure and the safety wire attachment point on the device.

- The safety cable (not included in the package) must:
- Bear at least 10 times the weight of the device (SWL).
- Have a minimum gauge of 4 mm.
- Have a maximum length (free fall) = 30 cm (12 in.).

TILT LOCK

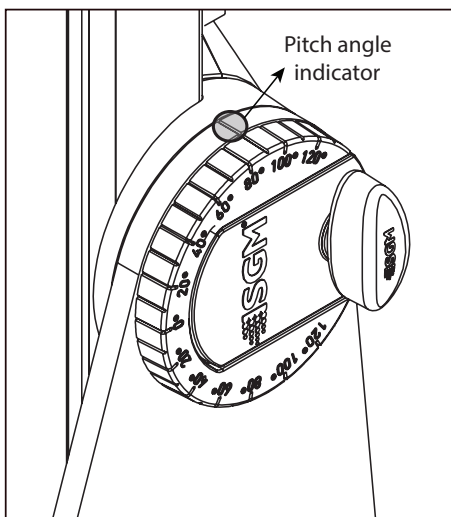


Figure 5: Standard tilt lock

The fixture head can pivot through 220 °.

To adjust the tilt angle in standard versions:

- Loosen the two tilt wing-screws (one on each side) by turning them counter-clockwise.
- Tilt the fixture to the angle desired and hold it.
- Lock the position by re-tightening both tilt lock screws clockwise.

CAUTION!




ALWAYS LEAVE A FIXTURE TO COOL OFF FOR 15 MINUTES AFTER OPERATION BEFORE HANDLING.

POWER REQUIREMENTS

The fixture can operate on any 100–277 V, 50/60 Hz AC mains power supply, and draws a maximum of 630 W.

Connect the fixture to AC power by installing a power connector to the bare end side of the supplied power cable. Connect the powercon twist-lock connector side to the fixture. The fixture must be grounded/earthed and be able to be isolated from AC power. The AC power supply must incorporate a fuse or circuit breaker for fault protection.

CONNECTING POWER

Wire	Color	Symbol	Conductor
	Black	L	live
	White	N	neutral (L2)
	green/yellow	\perp or \oplus	ground (earth)

The power cable color coding is given in figure 6:

- Connect the black wire to live
- Connect the white wire to neutral (or phase 2 on 208V supplies)
- Connect the green/yellow wire to ground (earth)

Figure 6: Connecting AC Power

For a temporary outdoor installation the mains cable must be fitted with a grounded connector intended for exterior use.

For permanent installations, a qualified electrician must wire the mains cable directly to a suitable branch circuit and as per local code. The junction's ingress protection (IP) rating must be suitable for the location. Always use a junction box with a proper IP class suitable for the environment.

After connecting the fixture to power, run the on-board test by selecting the option "TEST→ SELFTEST" in the menu, to ensure that the fixture and each LED are functioning correctly. (POI versions are tested through RDM.)

PLEASE NOTE!

THE PROTECTIVE CAPS MUST BE SECURELY MOUNTED ON ANY UNUSED CONNECTORS, IN ORDER TO MAINTAIN INGRESS PROTECTION (IP RATING).

CAUTION!

DO NOT CONNECT THE FIXTURE TO AN ELECTRICAL DIMMER SYSTEM, AS DOING SO MAY CAUSE DAMAGE

CONNECTING DATA

The fixture is controllable using a DMX control device, and it can be connected using either a DMX cable, or via the fixture's built-in CRMX wireless receiver system (POI only).

When using a cabled DMX system, connect the DMX-In cable to the input connector and DMX-Out cable to the output, both on the rear of the fixture's base (chassis mounted male and female 5-pin XLR plugs). For outdoor installations, use only IP-rated XLR connectors suitable for outdoor use. Terminate the DMX out cable of the last fixture in the data link with a 120 ohm DMX termination.

Note that SGM fixtures provide a passive DMX Thru signal as DMX Out, instead of an active output signal.

PLEASE NOTE! FOR POI VERSIONS, PLEASE REFER TO "INSTALLATION POI FIXTURE"

CONNECTING A WIRELESS TRANSMITTER

The fixture is designed to look for wireless transmitters in 'connect' state when this option is not yet enabled. The fixture comes tested for wireless functionality from the factory, therefore the beginning of the pairing process is disconnect from the factory wireless DMX transceiver.

To connect the fixture to a wireless transmitter:

1. Log off the currently paired wireless transmitter. Go to SETTINGS → WIRELESS DMX → LOG OFF in the menu. Fixture confirms logged off.
2. Press the connect button on the wireless transmitter.
3. Confirm that the fixture has paired with the wireless transmitter.

PLEASE NOTE! FOR POI VERSIONS, REFER TO "WIRELESS DATA CONNECTION" ON PAGE .

SIGNAL PRIORITY

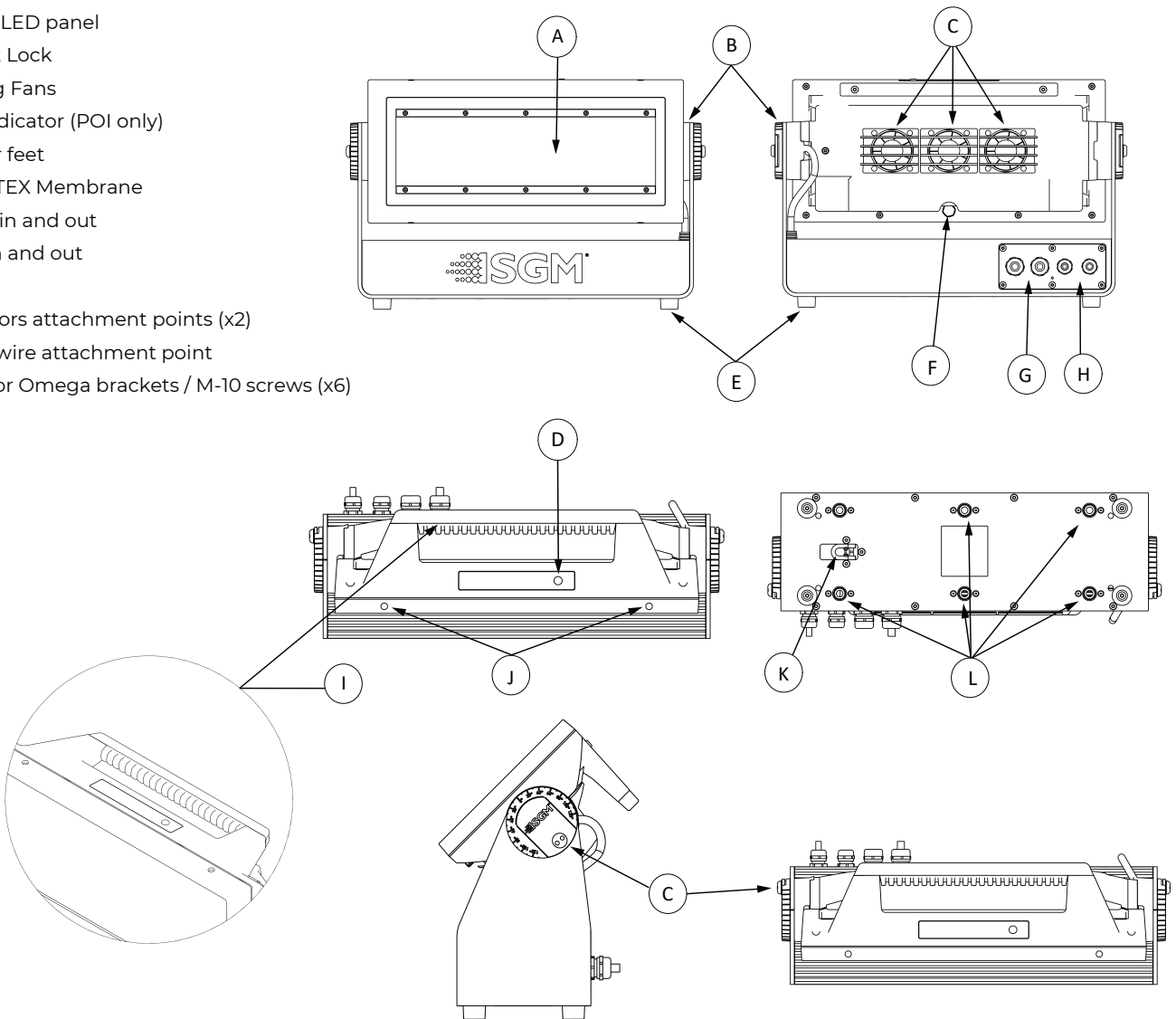
The fixture can be paired to an active wireless transmitter simultaneously when connected to a cabled DMX. The fixture will prioritize cabled DMX over wireless DMX.

The active input type is displayed under the wireless signal strength indicator. The signal strength can be also checked via RDM data by using an external RDM device.

PLEASE NOTE! IN POI VERSION WITH WIRELESS, THE DMX SIGNAL STRENGTH IS CHECKED THROUGH RDM.

IDENTIFICATION AND TERMINOLOGY

- A: RGBW LED panel
- B: POI Tilt Lock
- C: Cooling Fans
- D: LED Indicator (POI only)
- E: Rubber feet
- F: GORE-TEX Membrane
- G: Power in and out
- H: DMX in and out
- I: Handle
- J: Barndoors attachment points (x2)
- K: Safety wire attachment point
- L: Holes for Omega brackets / M-10 screws (x6)



Illustrations might vary from received products. This is subject to change without notice.

PLEASE NOTE! POI FIXTURES SHOULD BE PRE-SET WITH ANY CUSTOM PROGRAMMING BEFORE INSTALLATION

ALTHOUGH MOST FUNCTIONS ARE POSSIBLE TO BE SET VIA RDM ONCE MOUNTED IN POSITION, IT IS EASIER TO DO CONFIGURATION AND ANY TROUBLESHOOTING BEFORE MOUNTING IS COMPLETE.

UNPACKING

Unpack the device and inspect it to ensure that it has not been damaged during transport.

The fixture is shipped with:

- 1 x Spanner with magnet (POI version).
- 6 x M-10 screws (POI version).
- Safety information leaflet




APPLICATION CONSIDERATIONS

The POI version is IP66-rated and designed for use in outdoor installations. It is protected from:

- Dust, to the degree that dust cannot enter the device in sufficient quantities as to interfere with its operation.
- High pressure water jets of water from any direction.

CONNECTING TEMPORARY POWER

Connect to AC power using the supplied 8mm cable (the larger of the two permanently wired cables). The fixture must be grounded/earthed. The AC power supply must incorporate a fuse or circuit breaker for fault protection. For temporary programming, a plug or terminals can be used.

Wire	Color	Symbol	Conductor
	Black	L	live
	White	N	neutral
	green/yellow	⏏ or ⊕	ground (earth)

The power cable color coding is shown to the left:

- Connect the black wire to live
- Connect the white wire to neutral
- Connect the green/yellow wire to ground (earth)

Figure 7: Connecting AC Power

CONNECTING TEMPORARY SIGNAL

The fixture is compatible with DMX512 (ANSI E1.11 – 2008) only. It can be connected using either the SGM POI up-loader cable, or via the fixture's built-in CRMX wireless receiver system.

STEP 1: Download and install the SGM RDM Addressing tool.

< <https://sgmlight.com/products/rdm-addressing-tool> >

STEP 2: Connect the bare end data cable to the POI Up-loader cable for POI fixtures.

STEP 3: Connect the USB up-loader cable for POI fixtures to a computer with a USB Type-A port.

STEP 4: Launch SGM RDM Addressing Tool. Click Full Discovery and look for the green light to illuminate on the fixture. Configure all settings as needed.

Step 5: Disconnect up-loader cable from computer, then disconnect up-loader cable from fixture.

Repeat Steps 2-5 for more fixtures. Multiple fixtures can be addressed and configured. Contact your SGM representative for more information on multiple fixture addressing.

PLEASE NOTE! AT A MINIMUM, ALL FIXTURES WILL NEED TO BE GIVEN A DMX ADDRESS AND DMX PERSONALITY IN ORDER TO PATCH AND PROGRAM ON A CONTROLLER. REFER TO MANUALS FOR MORE DETAILS.






Wire	Color	Conductor
	Shield	Ground
	White	DMX IN: Data -
	Red	DMX IN: Data +
	Black	DMX OUT: Data -
	Yellow	DMX OUT: Data +

Figure 8: Data wiring guide for setup

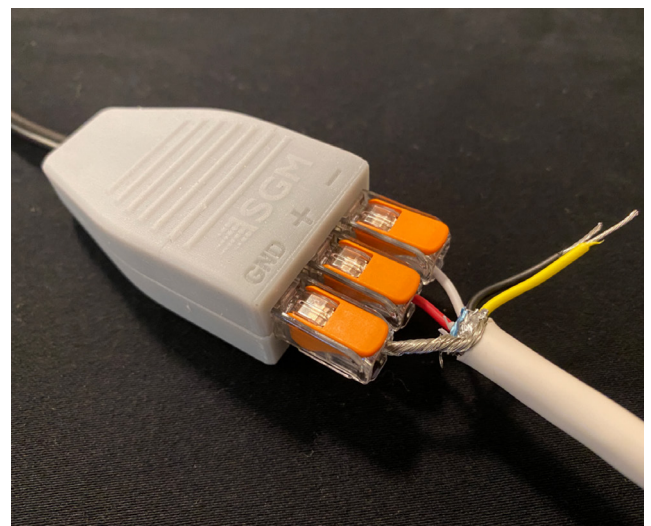


Figure 9: Connecting data to USB up-loader cable for POI fixtures

SETTINGS AND FIXTURE DEFAULTS

All configuration of POI fixtures is done through the SGM Addressing Tool. The SGM Addressing Tool is a windows based program designed to allow the user to configure the fixture through the RDM protocol. All settings on a standard fixture are available on a POI fixture. But on POI, these settings are changed through the Addressing Tool.

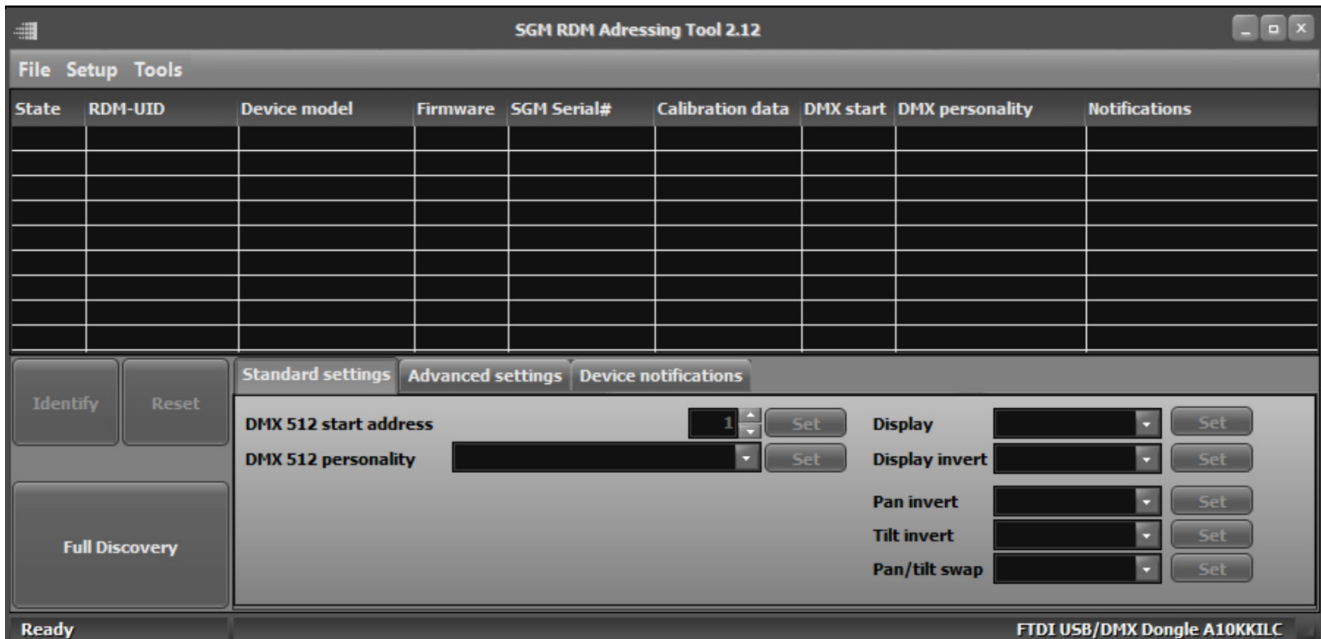


Figure 10: SGM Addressing tool

STEP 1: Launch SGM RDM Addressing Tool. Click Full Discovery and look for the green light to illuminate on the fixture. If the green light does not appear, cycle power or refer to troubleshooting.

STEP 2: Select the standard settings tab and enter a DMX address and a personality/mode of operation. These modes must match the control mode in the controller which will control the fixture. Look for the LED indicator to blink to confirm setting change. DMX modes for POI and Std versions are identical. Refer to CONFIGURING THE DEVICE later in this manual for specifics and more information on fixture functions. Visit www.sgmlight.com to see all DMX charts available under the respective product, or upon request via support@sgmlight.com.

STEP 3: If necessary for the application, click advanced settings to set the fan mode, dimming curve, calibration or to reset to factory defaults.

STEP 4: Disconnect POI Uploader cable.

Repeat as required for multiple fixtures.

Factory Defaults are as follows:

- DMX address = 1.
- DMX mode = Default mode (6 channel).
- Startup mode = DMX.
- Display saver = Off.
- Flip screen = Off.
- RDM device label set to = Fixture type name.
- Internal program reset.

PLEASE NOTE! REMOTE DEVICE MANAGEMENT (RDM) REQUIRES A CORRECTLY INSTALLED AND TERMINATED DMX CABLE.

When setting addresses through RDM and using USB dongles, it may be necessary to disable “USB selective suspend” to ensure a proper voltage to the DMX link. If any lag or trouble occurs when addressing, decrease the cable length range to <12 m. and only address one fixture at a time.

WIRELESS DATA CONNECTION

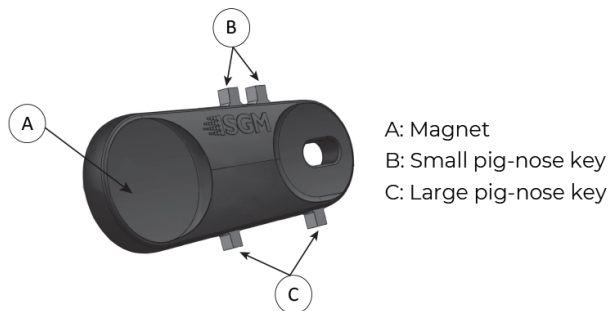


Figure 11: POI Spanner

In POI fixtures with wireless, it is necessary to pair the fixture with a new transmitter (by default, the fixture is linked to the SGM factory transmitter during the testing and QA process).

In order to do so, make sure the fixture is powered on before taking the following steps:

STEP 1: Using a SGM magnetic spanner tool, place the magnet close to the LED indicator, and wait for 3 seconds. The LED indicator will blink orange for 1-2 seconds, before switching to static green again. The fixture can now be paired to a new transmitter.

STEP 2: Select “connect” or “link” on a wireless DMX transmitter. The transmitter and the internal SGM receiver should now be linked together.

Repeat the process to link the fixture to another transmitter.

To disconnect the fixture from the currently paired wireless transmitter, hold the magnet for 3 seconds over the LED indicator. The LED indicator will blink orange for 1-2 seconds, switching later to green again. The fixture is now logged off.

LED INDICATOR BEHAVIOUR

The fixture displays the status of connections, setting and errors through the LED indicator. It can have different colors and three possible stages: static, flashing, or off.

Once configuration is complete, temporary power and data can be disconnected.

POI LED enabled:

- Solid Orange: Fixture is starting up.
- Blinking Orange-Green: Fixture is initializing its functions.
- Blinking Green: Initialization has completed, no errors and no wireless or wired DMX connection.
- Solid Green: Wireless and / or wired DMX connected.
- Blinking Green-Red: Error(s) have occurred.
- Solid Red (3 seconds): Hall sensor is activated. When activated for longer than 3 seconds, wireless DMX connection is logged off.
- Off: fixture is off or LED indicator is set to auto-dimming (set via RDM).

POI LED disabled:

- Solid Orange: Fixture is starting up.
- Blinking Orange-Green: Fixture is initializing its functions.
- Blinking Green: Initialization has completed, no errors and no wireless or wired DMX connection.
- Solid Green: Wireless and / or wired DMX connected.
- Blinking Green-Red: Error(s) have occurred.
- Solid Red (3 seconds): Hall sensor second activation. (within 20 seconds). When activated more than 3 seconds wireless DMX connection is logged off.

Once configuration is complete, temporary power and data can be disconnected.

MOUNTING

All SGM POI fixtures have M10 size attachment points to mount the supplied brackets or directly to a structure. The POI wash fixture may be installed in any orientation and it might take up to two brackets per fixture. Depending on the structure, please use appropriate and secure methods for mounting the Omega brackets.

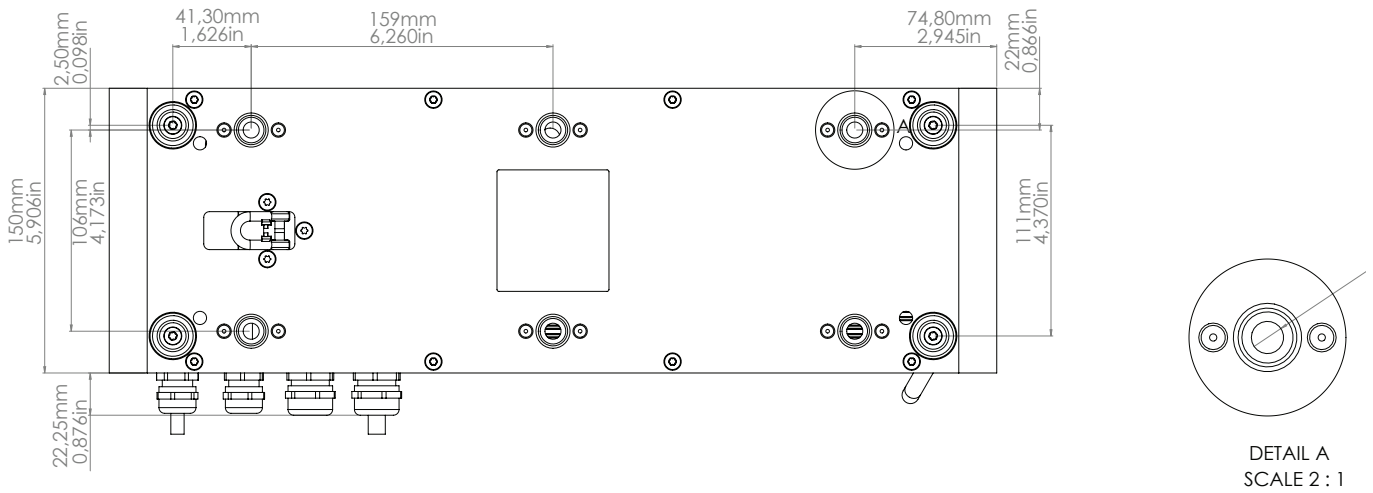
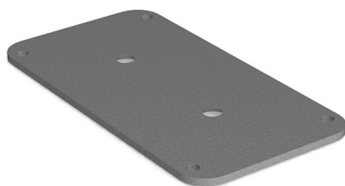


Figure 12: POI base with dimensions

BRACKETS

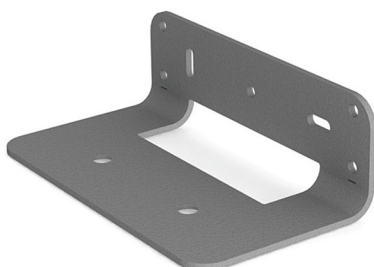
There are four bracket choices available from SGM:



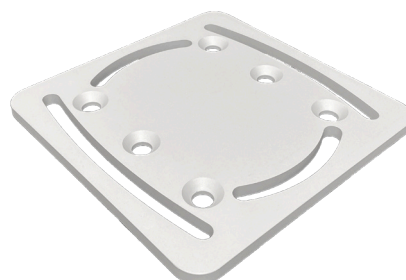
Flat bracket



Omega bracket

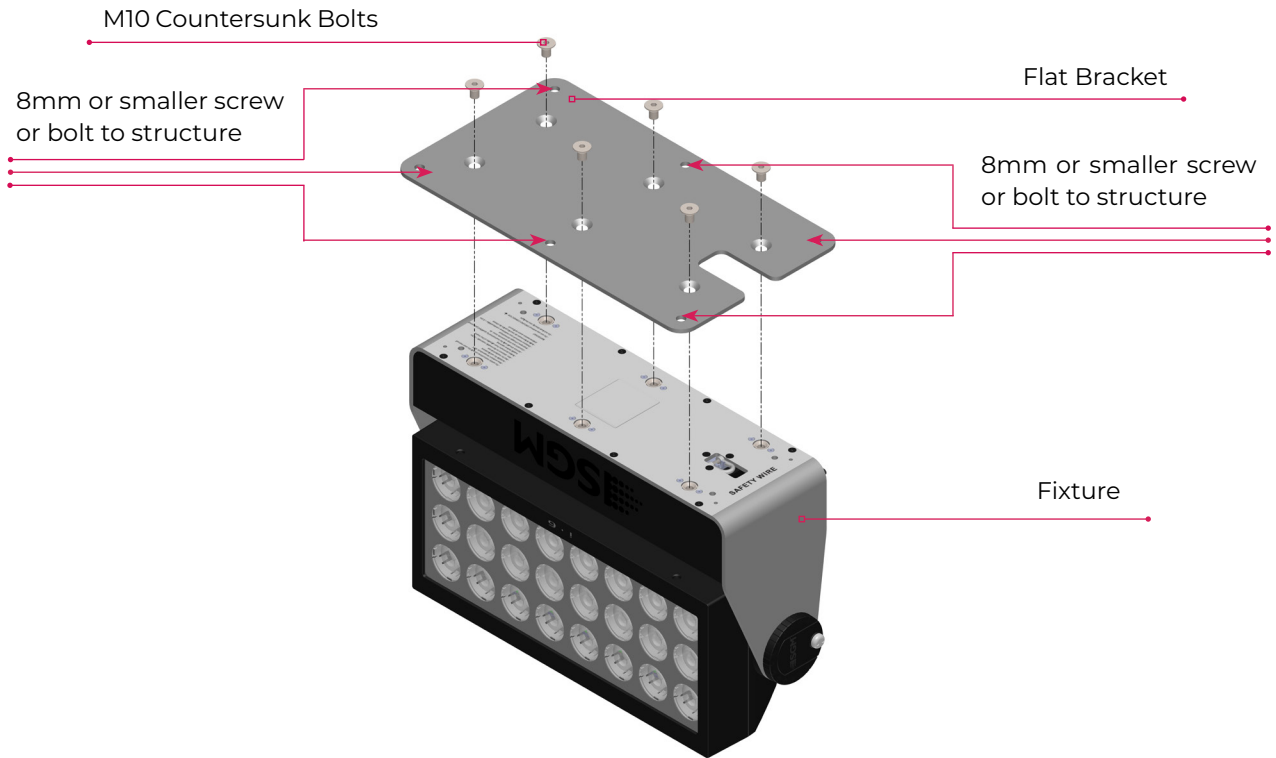


Wall mount bracket

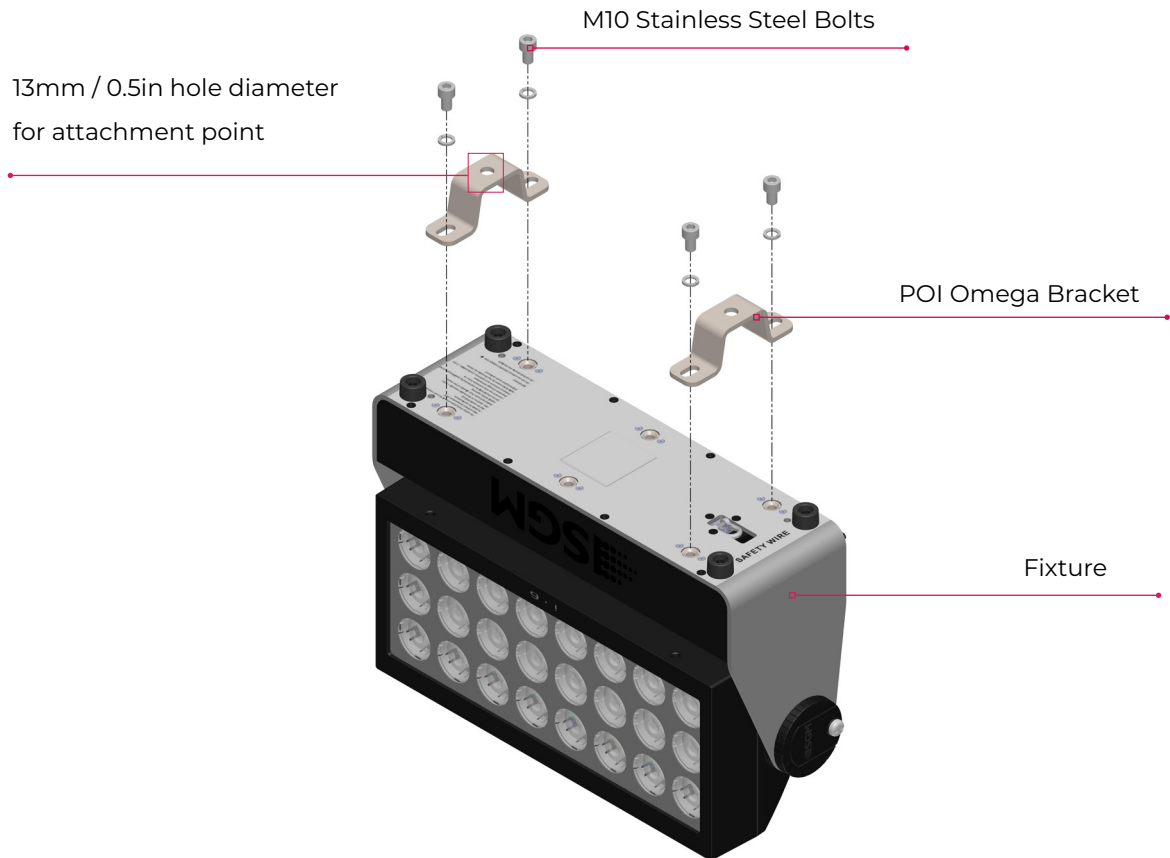


Universal bracket

FLAT BRACKET ATTACHMENT



OMEGA BRACKET ATTACHMENT



UNIVERSAL BRACKET ATTACHMENT

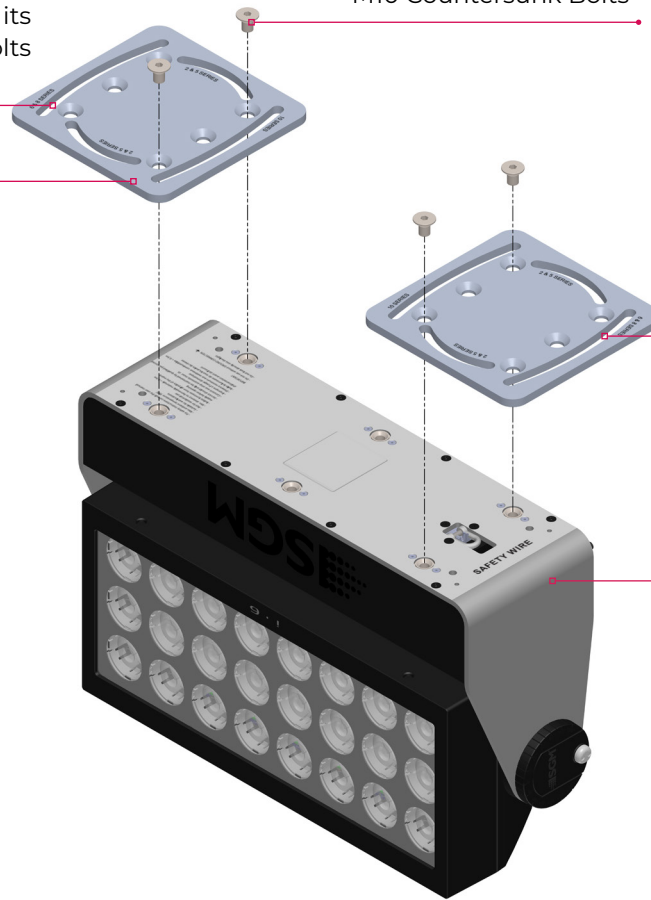
Using a bolt through this slot, the fixture will rotate around its center point, always use 2 bolts with washers.

POI Universal Bracket

M10 Countersunk Bolts

Using a bolt through this slot, the fixture will rotate around its center point, always use 2 bolts with washers.

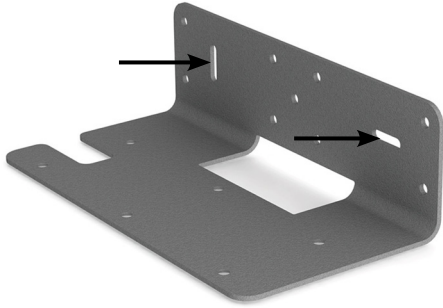
Fixture



PLEASE NOTE! THE UNIVERSAL BRACKET HAS DIFFERENT SLOT CURVES FOR 6/8 SERIES FIXTURES AND 10 SERIES FIXTURES. WHEN ATTACHING THE BRACKET TO THE FIXTURE, MAKE SURE THE SLOT WITH "6/8 SERIES" LABEL IS FACING AWAY FROM THE CENTER OF THE FIXTURE. BOLTS TO MOUNTING SURFACE WILL USE THIS SLOT.

WALL BRACKET ATTACHMENT

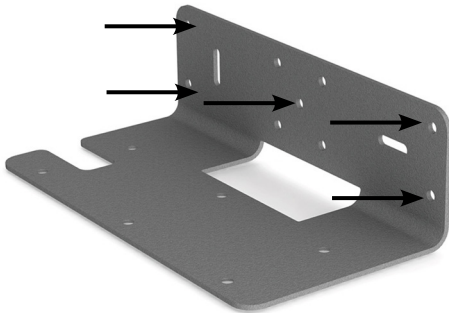
Medium 6/8 Series



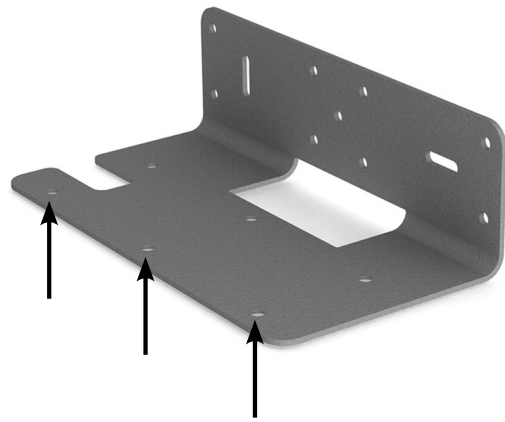
Attach and align the bracket to a surface. The shorter side of the bracket is the side that attaches to a wall surface. There are two slots provided to align the bracket. Using appropriate fasteners, align and level the bracket. Then tighten to the surface.

Using the holes shown, use appropriately rated fasteners for both location and surface material and construction. Fasteners should be no larger than M6.

Alignment Slots



Wall Attachment Slots



Fixture Attachment Slots



Use the supplied countersunk M10 bolts to secure the fixture to the bracket. Ensure cabling is not pinched or trapped when mounting fixture.

PLEASE NOTE! REMOVE RUBBER FEET FROM FIXTURE IF SO EQUIPPED PRIOR TO MOUNTING.

POI TILT LOCK

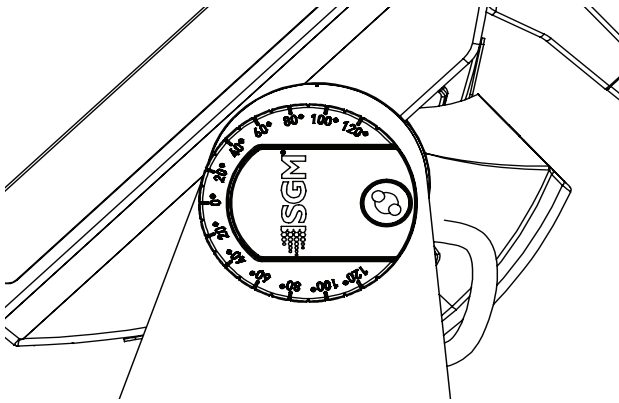


Figure 13: Q-8 POI Tilt lock

The fixture can be tilted in any orientation. To adjust the tilt angle in POI fixtures:

- Loosen the two tilt lock screws (one on each side) by turning them counter-clockwise using the small pig-nose key.
- Lock the position by tightening the tilt lock screws clockwise with the same pig-nose key.

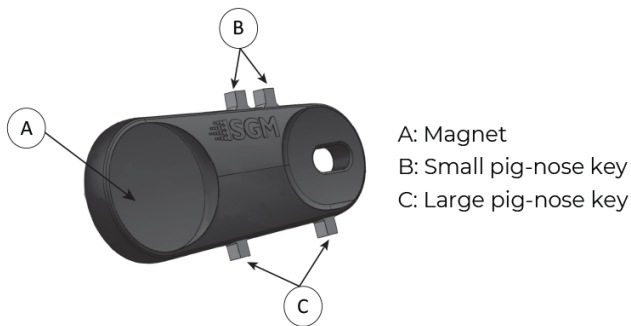


Figure 14: POI Spanner

The POI fixture includes a spanner with a magnet, which function is to establish connection between the fixture and the wireless transmitter.

The spanner also has two types of pig-nose keys used for tilt adjustment in POI fixtures. Depending on the type of fixture, either use the large or the small pig-nose keys.

CAUTION!

ALWAYS LEAVE A FIXTURE TO COOL OFF FOR 15 MINUTES AFTER OPERATION BEFORE HANDLING.

PERMANENTLY CONNECTING POWER & DATA

PLEASE NOTE! POI FIXTURES MUST BE TERMINATED IN SUITABLY IP RATED ENCLOSURES, AND WITH CABLE CONNECTIONS MEANT FOR DIGITAL DATA SIGNAL.

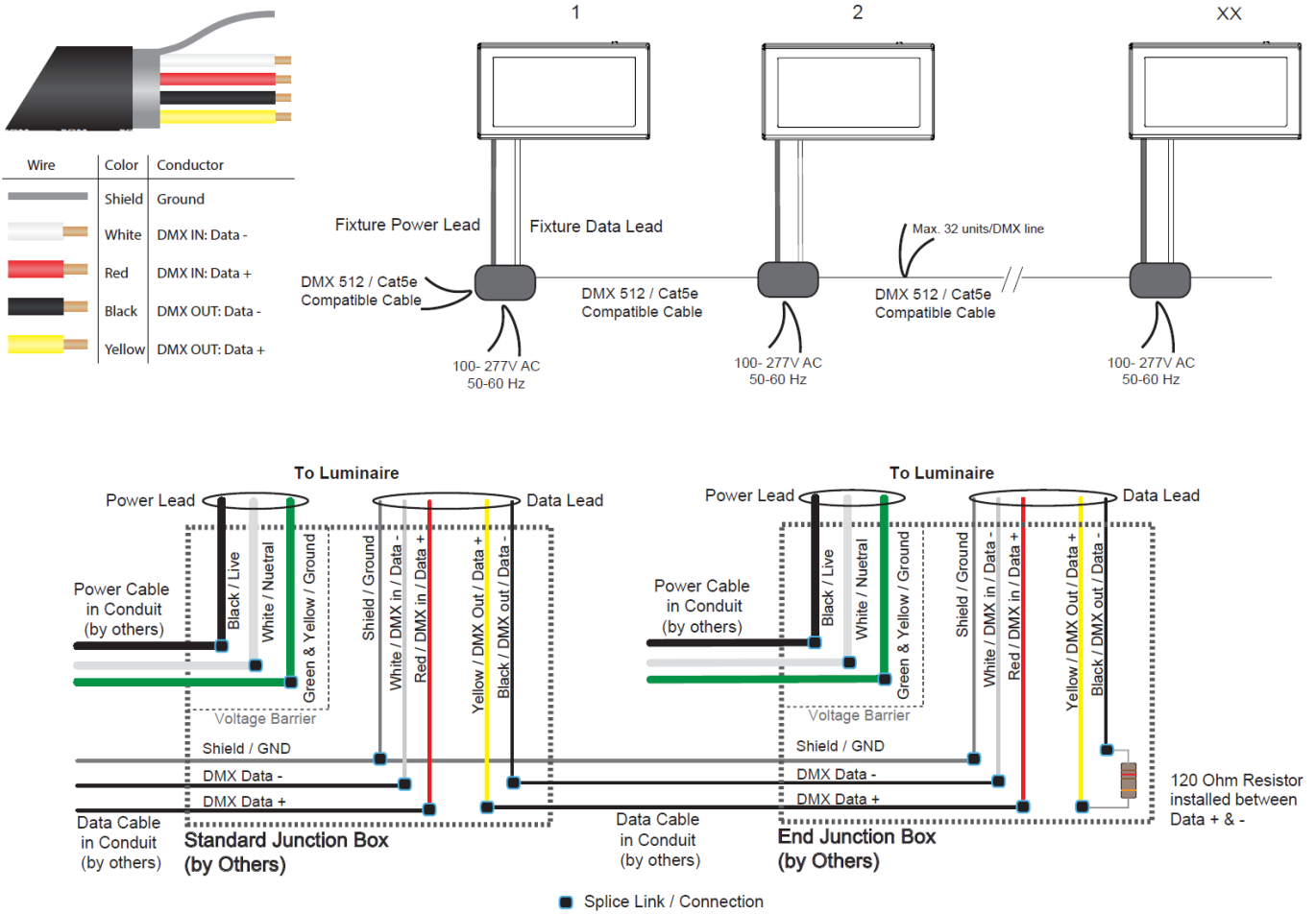


Figure 15: Connecting DMX and AC Power in POI

The last fixture in line must have a resistor installed between the yellow and black data out wires. This is to terminate the DMX signal, according to the RS-485 signal protocol.

DMX in and DMX out are in the same cable. See more in figure above about the SGM POI DMX cable.

For permanent installations, have a qualified electrician wire the mains cable directly to a suitable branch circuit.

For a temporary installation, the mains cable may be fitted with a grounded connector intended for exterior use.

PLEASE NOTE!

- Cat5e compliant cable is suitable for the transmission of DMX 512 with RDM.
- Up to 32 fixtures can be on the same DMX link. Additional fixtures will overload the link.
- The last fixture must always be fitted with a DMX termination plug to the fixtures DMX out.
- SGM fixtures provide a passive DMX Thru signal as DMX Out, instead of an active output signal.

WIRELESS

In POI versions with wireless, it is necessary to pair the fixture with a new transmitter (by default, the fixture is linked to the SGM factory transmitter during the testing and QA process).

In order to do so, make sure the fixture is powered on before taking the following steps:

- STEP 1: Using a SGM magnetic spanner tool, place the magnet close to the LED indicator, and wait for 3 seconds. The LED indicator will blink orange for 1-2 seconds, before switching to static green again. The fixture can now be paired to a new transmitter.
- STEP 2: Select “connect” or “link” on a wireless DMX transmitter. The transmitter and the internal SGM receiver should now be linked together.

Repeat the process to link the fixture to another transmitter.

To disconnect the fixture from the currently paired wireless transmitter, hold the magnet for 3 seconds over the LED indicator. The LED indicator will blink orange for 1-2 seconds, switching later to green again. The fixture is now logged off.

USER INTERFACE

The fixture can be set up by using the control panel and OLED multi-line display on fixture’s head or through RDM.

PLEASE NOTE! IN POI VERSIONS THE DISPLAY IS REPLACED BY AN INDICATOR LIGHT. THE ADJUSTMENTS ARE MADE THROUGH RDM. SEE [“POI PERMANENT OUTDOOR INSTALLATION”](#) FOR MORE INFORMATION.

The OLED display shows the current status and menu of the fixture. It is used to configure individual fixture settings and read error messages. The complete list of the menu and all commands available are listed in [“Control menu”](#).

Before turning on the fixture, make sure the power cable is properly connected. When the fixture is powered on it will boot and reset before displaying the selected operating mode and DMX start address. Navigate through the menus and options using the arrow buttons, and select items using the ENTER button.

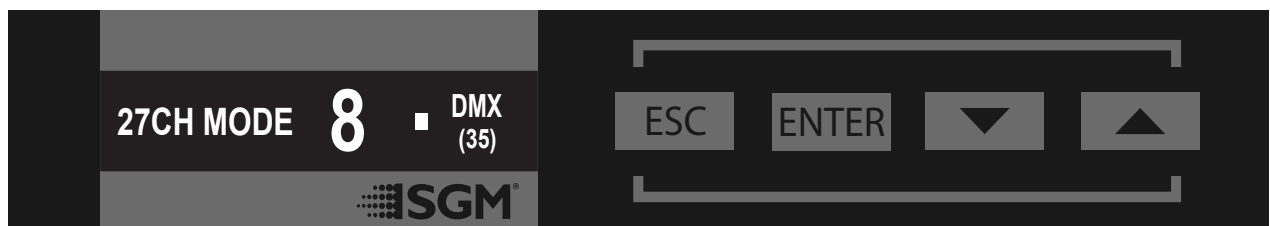


Figure 16: OLED display and control panel

USING THE DISPLAY PANEL

- Press the ‘ENTER’ button to access the menu or make a selection.
- Press the arrow buttons to scroll up and down in the menus.
- Press the ‘ESC’ button to take a step back in the menu.

SHORTCUTS

- ESC + ENTER: Press ENTER to confirm factory defaults.
- ESC + UP: Press ENTER to start LED test.
- UP + DOWN arrows simultaneously = flip the display upside-down.

OPERATIONAL MODE (A)

Displays the current mode (quick color, stand-alone, or DMX mode). The fixture is set by default to be controlled in DMX mode.

DMX ADDRESS (B)

Displays the current DMX address. The DMX address is altered directly from this view.

EXTERNAL DATA INDICATOR (C)

The DMX signal indicator will flash when the DMX signal is received.

EXTERNAL DATA PROTOCOL (D)

Shows the external data protocol (CRMTM or DMX).

- When 'DMX' is displayed: the fixture responds to data received through cabled DMX.
- When 'CRM' is displayed: the fixture responds to data received through wireless DMX.

The next available DMX address will show immediately, depending on the fixture's DMX footprint.

ERROR INDICATOR

If any errors are detected, the message 'ERR' will be flashing in the display for easy detection.

To read the error message, select ENTER → INFO → ERRORS in the menu.



- A - Operational mode
- B - DMX address
- C - External data indicator (DMX)
- D - External data protocol + next available DMX address

Figure 17: Display

ABOUT DMX

The fixture can be controlled using signals sent by a DMX controller on a number of DMX channels.

DMX is the USITT DMX512-A standard, based on the RS-485 standard. The signal is sent as DMX data from a console (or a controller) to the fixtures via a shielded twisted pair cable designed for RS-485 devices.

The cables can be daisy chained between the fixtures, and up to 32 fixtures can be connected on the same DMX link. Up to 300 m. (~1000ft.) of cable is achievable with high quality DMX cables. All DMX links must be terminated by connecting a DMX termination plug to the last fixture's 5 pin DMX out connector.

PLEASE NOTE! STANDARD MICROPHONE CABLE IS NOT SUITABLE FOR TRANSMITTING DMX. UP TO 32 FIXTURES CAN BE LINKED TO THE SAME DMX CHAIN. ADDITIONAL FIXTURES WILL OVERLOAD THE LINK.

DMX START ADDRESS

The fixture can be operated in different DMX modes. For any of the modes, the first channel used to receive data from a DMX control device is known as the DMX start address.

For independent control, each fixture must be assigned its own DMX start address. For example, if the first RGBW fixture is set to 6ch CTC DMX mode with a start DMX address of 101, the following RGBW fixture in the DMX chain should then be set to a DMX address of 107. As the first fixture uses all the first 6 DMX channels, including channel 101, the next available channel is 107 ($101+6=107 \gg 107$).

If two or more fixtures have the same DMX start address, they will behave identically. Incorrect settings will result in unpredictable responses from the lighting controller. Address sharing can be useful for diagnostic purposes and symmetrical control.

SET/EDIT DMX ADDRESS

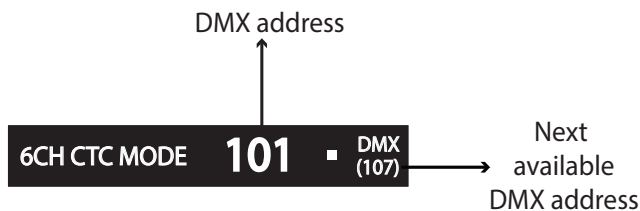


Figure 18: Display

The DMX address is shown on the OLED display in the control panel. To change the address setting, press the up and down arrows. When the desired address is displayed, press ENTER to save the setting. For your convenience, the next available DMX address is displayed to the right. Note that channel spacing is determined by the number of channels of the DMX mode.

See "User Interface" on page 24 for instructions on using the display panel.

The fixture also offers the option to set the DMX address through RDM.

PLEASE NOTE! POI VERSIONS ARE ADDRESSABLE VIA RDM. SEE "[POI PERMANENT OUTDOOR INSTALLATION](#)".

SETTING THE DMX MODE

When selecting ENTER → MODE → Select mode in the control panel, it is possible to choose the DMX mode that provides the required controls. Confirm the chosen mode by pressing 'Enter'.

DMX CHARTS

The fixture operates in different DMX modes. Each DMX mode has its own DMX chart. All DMX charts are available for download at www.sgmlight.com under the respective product, or upon request via support@sgmlight.com

SETTING A STATIC COLOR MANUALLY

The standard fixture can be configured to display a predefined and static color.

To set up a static color select ENTER → MANUAL → QUICK COLOR.

Note that, once the MANUAL → QUICK COLOR settings are changed, the fixture will be set, by default, to automatically start in quick color mode whenever it is powered on. This can be reset through the menu SETTINGS → STARTUP MODE → SELECT STARTUP MODE.

The current quick color program can always be stopped by going to:

ENTER → MANUAL → STOP PROGRAM

PLEASE NOTE! IN POI VERSIONS, CONFIGURING THE FIXTURES IS DONE BY RDM.

USING STANDALONE OPERATION

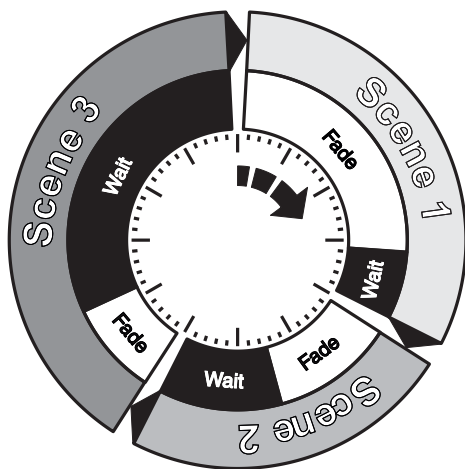


Figure 19: Standalone operation

Standalone operation is not running when the fixture is connected to a control device, but when it is pre-programmed with a series of up to 24 scenes, playing continuously in a loop. Up to three stand-alone programs can be defined and run from the menus, and one of the programs can be set to run by default whenever the fixture is powered on.

Each of the three available standalone programs contains 24 user-definable scenes with its own RGB and shutter settings.

Each scene has a definable fade-in time for the transition from one color to the next, and a wait (static) time of up to 120 minutes and 59 seconds.

To define a stand-alone program, press ENTER → MANUAL → EDITOR.

The standalone mode of the fixture's startup is enabled by selecting:

ENTER → SETTINGS → STARTUP MODE → SELECT STARTUP MODE → STANDALONE.

To select the fixture's startup program, press:

ENTER → SETTINGS → STARTUP MODE → STARTUP PROGRAM.

The chosen program will run its length cyclically whenever the fixture is powered on.

To run an internal program, go to:

ENTER → MANUAL → RUN PROGRAM.

To stop an active internal program, go to:

ENTER → MANUAL → STOP PROGRAM.

PLEASE NOTE! IN POI VERSIONS, CONFIGURING THE FIXTURES IS DONE THROUGH RDM.

FACTORY DEFAULT

When restoring factory defaults in the Q-8, the following settings will be set:

DMX address = 1.

DMX mode (POI version) = Default mode (6 channel).

DMX mode = Default mode (27 channel).

Startup mode = DMX.

Display saver = Off.

Flip screen = Off.

RDM device label set to = Fixture type name.

Internal program reset.

LED ENGINE

The Q-8 is a luminaire with RGBW panels and white LED stripes (see figure 13). A total of eight individually controllable segments, four of which generate wide-ranging color effects and pixel-mapping combinations, and four for dedicated white strobe blinders.

PLEASE NOTE! ONLY THE Q-8 STD. VERSION HAS STROBE STRIPS.

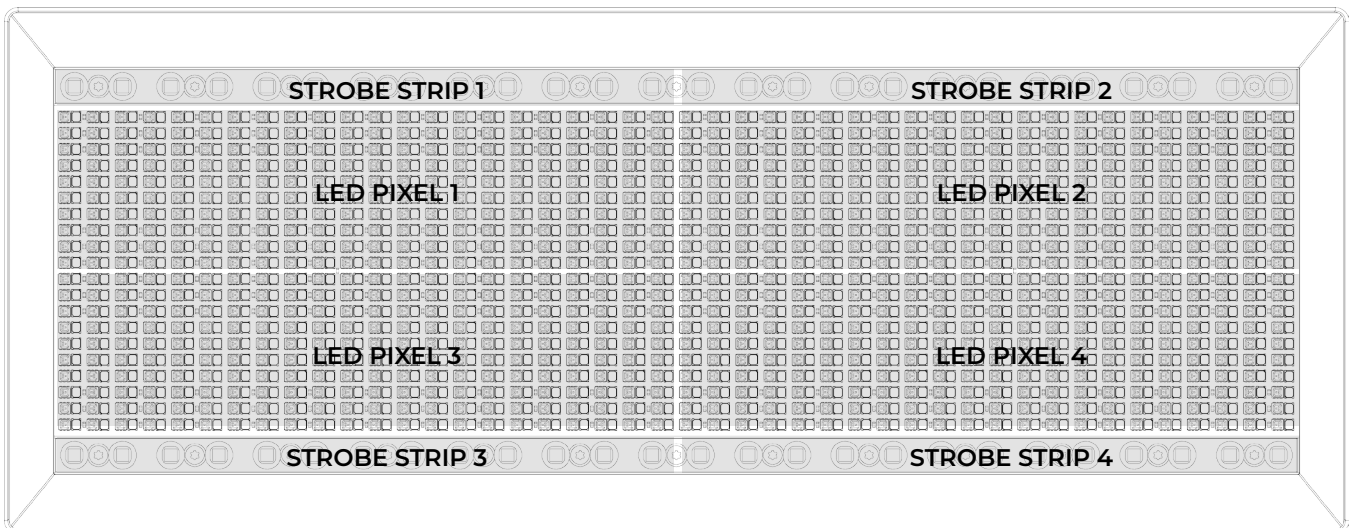


Figure 20: Q-8 Pixel segments

High-speed strobe effect

The Q-8 features two stripes of dedicated strobe light. These strobes have multiple modes, including: random strobe, pulse effects and pulse effects with variable speed (Standard version only).

Beam angle

The standard Q-8 offers a native 110° beam angle in the Q section, and a native 84° beam angle in the strobe blinders. These can be modified using different optional magnetic holographic filter frames and barndoors.

High Speed Mode:

When one of the High Speed Modes is active, the panel intensity channel is used to turn on the white LED of the panel (5600K / CRI 90 / Brightness 100%). This requires the panel intensity channel to be set to a DMX value from 1 to 255. At a DMX value of 0, the Panel will turn off. Any other channel will be disabled when a High Speed Mode is active. 7 different modes are available to assure the best output depending on the ambient temperature:

Mode 1: unknown or variable ambient temperature.

Mode 2: temperatures up to 15°C.

Mode 3: temperatures up to 20°C.

Mode 4: temperatures up to 25°C

Mode 5: temperatures up to 30°C.

Mode 6: temperatures up to 35°C.

Mode 7: temperatures up to 40°C.”

INDIVIDUAL FIXTURE SETTINGS

Flipping the OLED display

If the fixture is installed hanging upside down, it might be useful to flip the display so that it is easier to read.

To flip the display, press ENTER and select SETTINGS → FLIP DISPLAY, or press the up and down buttons on the control panel at the same time.

Setting the OLED display saver

By default, the OLED display turns off after a short period when the control panel is not in use. The display can also be set to dim down. Pressing any key will always turn on the display or restore it to normal brightness.

To configure the display settings, press ENTER → SETTINGS → DISPLAY SAVER.

NOTE: To avoid the risk of display deterioration caused by long term use, it is recommended to select the setting → DISPLAY OFF.

Setting the fan mode

For operating environments where low-noise is a requirement or where the fixture will be operating in high temperatures, it is possible to adjust the default fan speed by going to SETTINGS → FAN MODE in the menu.

CONTROL MENU

LEVEL 1	LEVEL 2	LEVEL 3	FUNCTION	
Mode	Select Mode	-	Select DMX mode.	
Info	Product Type	-	Displays product type.	
	Firmware Version	-	Displays installed firmware version.	
	Hardware Revision	-		
	Serial Number	-	Displays SGM serial#.	
	RDM ID	-	Displays RDM ID (Unique RDM ID for identification).	
	DMX View	Up to 504 DMX addresses	Displays received DMX levels.	
	Temperatures	MAIN TEMP		Displays fixture temperatures.
		RGB L TEMP		
		RGB R TEMP		
		STROBE LB TEMP	POI only	
		STROBE RB TEMP	POI only	
		STROBE LT TEMP	POI only	
		STROBE RB TEMP	POI only	
		HUMIDITY BASE		
		HUMIDITY HEAD		
		VOLTAGE 50V		
		VOLTAGE 16V		
WIRELESS SIGNAL				
WIRELESS PAIRED				
RGBW PWM				
FIXTURE DERATING				
Power on time	-	Displays fixture total power on time.		
LED On Time	-	Displays LED total power on time. (R, G, B, W).		
Errors	-	Displays error codes.		
Settings	Wireless DMX	Wireless log off	Send Log off command to the CRMX System.	
		BRIDGE DMX	Displays strength of the wireless connection.	
	Startup Mode	Select Startup Mode	Default operating mode when fixture is powered on: STARTUP MODES: 1. DMX (Factory default) 2. Quick color 3. Program 1 4. Program 2 5. Program 3 6. High speed	
	DMX loss function	DMX HOLD		
		ALL ON		
		BLACKOUT		
		QUICK COLOR		
	Fan Mode	Auto	Adjusts fan speed relative to internal fixture temperature.	
		Low Noise	Low fan speed for quiet operation.	
		Fan off	Turns off the fan completely.	
	Factory Default	Standard	Reset the fixture to factory default settings.	
Service Pin				
Service Menu				

LEVEL 1	LEVEL 2	LEVEL 3	FUNCTION
Manual*	Quick Color Editor	Red	Static quick color - red mix (0-255). Sets fixture to quick color startup mode.
		Green	Static quick color - green mix (0-255). Sets fixture to quick color startup mode.
		Blue	Static quick color - blue mix (0-255). Sets fixture to quick color startup mode.
		White	Static quick color - white mix (0-255). Sets fixture to quick color startup mode.
	Macro Color Editor	Macro color	
	High Speed Editor	High speed mode	
	Program Editor	Program	
	Quick Color Run	-	
	Macro Run	-	
	High Speed Run	-	
Program Run	1, 2 or 3	Run internal sequence 1, 2 or 3.	
Stop	-	Stop current running internal sequence or Quick Color.	
Manual	Editor	Program	Currently selected program (1, 2 or 3).
		Scene	Currently selected scene (1-24).
		Red	Red value in currently selected scene (0-255).
		Green	Green value in currently selected scene (0-255).
		Blue	Blue value in currently selected scene (0-255).
		Strobe	Strobe blinders intensity (0-255).
		Strobe Function	Strobe blinders behaviour (0-20).
		Fade Time (Min.)	Fade-in (transition) time to current scene in min. (0-51).
		Fade Time (Sec.)	Fade-in (transition) time to current scene in sec. (0-59).
		Wait Time (Min.)	Wait (static) time in current scene in min. (0-998).
Wait Time (Sec.)	Wait (static) time in current scene in sec. (0-59).		
Test	LED panel test		Test the LED panels of the fixture.
	Display test		Test the fixture display.

SUPPORTED RDM FUNCTIONS

The Q-8 features are supported via various RDM functions.

RDM (Remote Device Management) is a protocol enhancement to USITT DMX512 that allows bi-directional communication between the fixtures and the controller over a standard DMX line. This protocol will allow configuration, status monitoring and management.

You will need an RDM controller to get control over the supported parameters. See the tables below for supported RDM functions.

PLEASE NOTE! THE RDM CONTROLLER COMMUNICATES WITH THE FIXTURES TO SHOW ONLY THE AVAILABLE SENSORS FOR THIS FIXTURE. THE TABLE IS SUBJECT TO CHANGE WITHOUT NOTICE.

PID	ACTIONS ALLOWED	NAME
0x0082	GET/ SET	Device Label
0x0081	GET	Manufacturer Label
0x00E0	GET/ SET	DMX Personality
0x00E1	GET	DMX Personality description
0x0200	GET	Sensor Definition
0x0201	GET/ SET	Sensor Value
0x0080	GET	Device Model Description
0x0400	GET/ SET	Device Hours
0x0051	GET	Parameter Description
0x0501	GET/ SET	Display Level
0x0500	GET/ SET	Display Invert
0x0090	GET/ SET	Factory Defaults

PID	ACTIONS ALLOWED	NAME
0x1001	SET	Reset Device
0x0120	GET	Slot info
0x0121	GET	Slot Description
0x0122	GET	Default Slot Value
0x8626	SET	CRMX Log Off
0x8060	GET	Serial Nr.
0x8632	GET/SET	SMPS Calibration
0x8625	GET / SET	FAN 0=AUTO 1=LOW 2=HIGH 3=FULL
0x8634	GET/SET	0=HOLD 1=LOW 2=HIGH 3=Q COLOR
0x8637	GET/SET	CRMX Bridge Mode

SENSORS

RDM enables various sensor readouts for remote device monitoring. See the table below for sensors and sensor types.

PLEASE NOTE: THE RDM CONTROLLER COMMUNICATES WITH THE FIXTURES TO SHOW ONLY THE AVAILABLE OPTIONS FOR EACH RDM FUNCTION. THE TABLE IS SUBJECT TO CHANGE WITHOUT NOTICE.

NAME	SENSOR TYPE
Mainboard	Temperature
RGB Left	Temperature
RGB Right	Temperature
Strobe Left Bottom	Temperature
Strobe Right Bottom	Temperature
Strobe Left Top	Temperature
Strobe Right Top	Temperature
Humidity Base	Other
Humidity Head	Other

NAME	SENSOR TYPE
Wireless Signal Strength	Other
Wireless Paired	Other
Voltage 50 V	Voltage
Voltage 16 V	Voltage
RGBW PWM	Other
Fixture Derating	Other
Base	Temperature

BARNDOORS



Figure 21 : 4-way Barndoor



Figure 22 : 8-way Barndoor

The Q-8 features 4-way and 8-way barndoors. The barndoors are designed and intended to be mounted on the fixture without the use of any tools.

To install the barndoors:

- Attach the lower plug-in pins to the bottom part of the Q-8 front.
- Pull the two upper lock pins and fit the upper part of the barndoor in the Q-8 head.
- Release the lock pins and check that they are correctly in place

PLEASE NOTE! THE BARNDOORS ARE NOT INTENDED FOR PERMANENT OUTDOOR INSTALLATIONS.

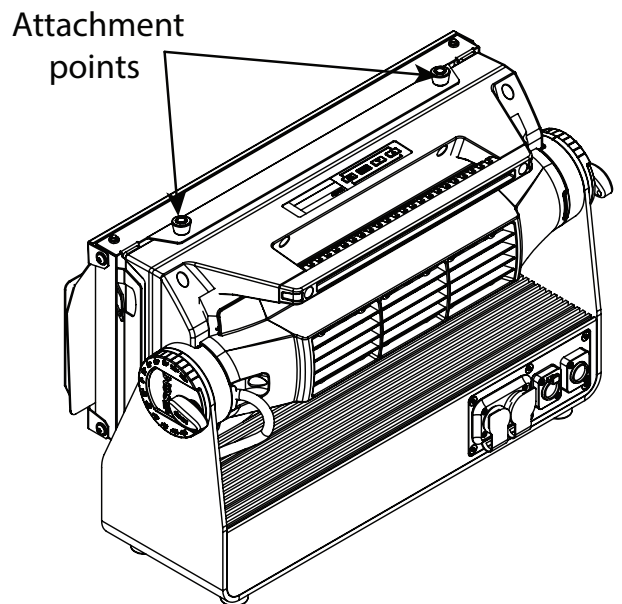
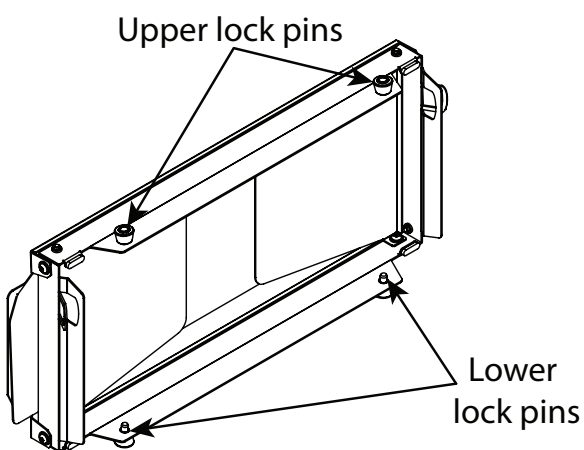


Figure 23. : Barndoor attachment

ANTI-GLARE SHIELDS



Figure 24 : Full anti-glare shields



Figure 25 : Half anti-glare shields

FILTER FRAMES



Figure 26: Filter frame

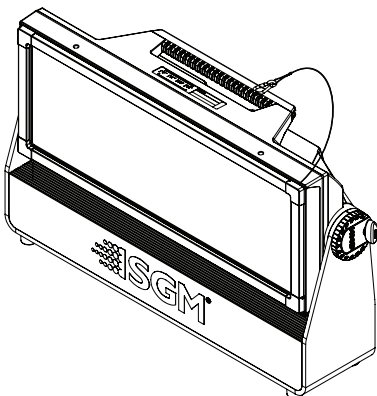


Figure 27: Q-8 with filter frame

The Q-8 supports two different types of optional anti-glare shields:

- Full anti-glare shield - covers the full fixture's opening.
- Half anti-glare shield - covers half of the fixture's opening.

Using the anti-glare shields will remove any unwanted glare and reflections.

The anti-glare shields are easily mounted by removing the two tilt lock bolts, one on each side of the fixture. Refit the anti-glare shield in position and screw both tilt locks bolts again.

PLEASE NOTE! THE ANTI-GLARE SHIELDS ARE SUITABLE FOR BOTH PERMANENT OUTDOOR AND INDOOR INSTALLATIONS.

The Q-8 features various optional magnetic, holographic filter frames such as elliptical diffusers.

There are four filter frame choices available from SGM:

- wide angle
- medium angle
- elliptical vertical wide angle
- elliptical horizontal wide angle

To install them, it is only required to position the filter frame in front of the light, and it will quickly snap into place.

The frames are fitted with a safety wire to secure the frame to the handle of the Q-8.

Filter frames and barndoors can both be mounted and work together on the same fixture.

PLEASE NOTE! THE FILTER FRAMES ARE NOT INTENDED FOR PERMANENT OUTDOOR INSTALLATIONS.



Figure 28: SGM Vacuum Test Kit

SGM VACUUM TEST KIT

The Vacuum Test Kit is an accessory suitable for all SGM IP-rated fixtures, made for testing the IP integrity upon reassembly.

In order to ensure the IP-rating of the fixture, it's highly recommended that the fixture is always vacuum tested after installing or swapping any part that might compromise the IP-rating, e.g., swapping the front lens.

SGM disclaims liability for any damage occasioned by the non-use, or inability to use, the vacuum test kit after reassembling the fixture.



Figure 29: SGM Uploader Cable

USB - XLR UPLOADER CABLE

The SGM USB to DMX cable is an accessory used mainly to update the fixture with the latest SGM firmware. See below how to update the fixture with the latest firmware.

The SGM Uploader cable is also used for controlling the DMX values channel by channel through the Firmware Uploader Tool software (available for download at www.sgmlight.com).



Figure 30: SGM Uploader cable POI

USB - POI UPLOADER CABLE

The SGM USB to DMX cable is an accessory used mainly to update the fixture with the latest SGM firmware. See below how to update the fixture with the latest firmware.

The SGM Uploader cable is also used for controlling the DMX values channel by channel through the Firmware Uploader Tool software (available for download at www.sgmlight.com).

FIRMWARE UPDATES

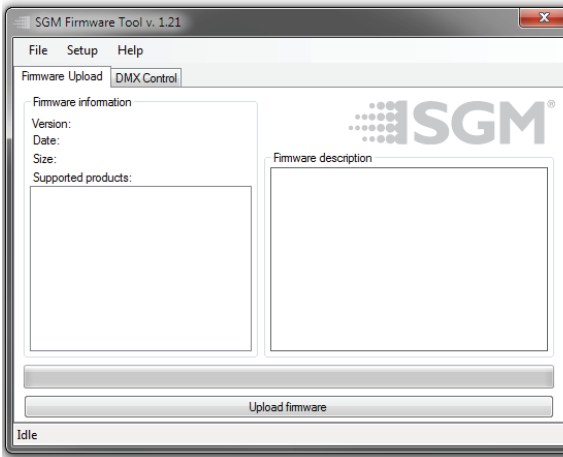


Figure 31: SGM Firmware tool

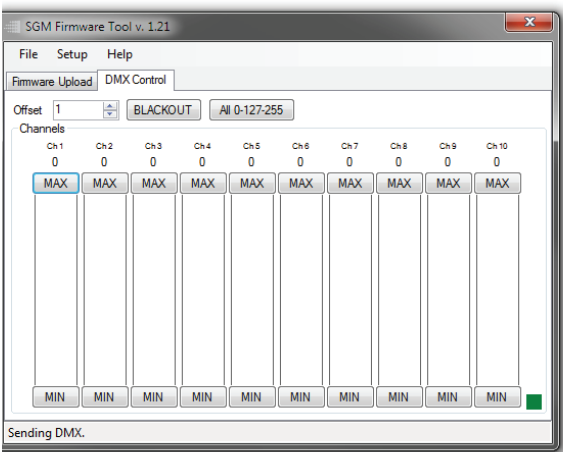


Figure 32: SGM Firmware tool

Fixture firmware can be identified in two different ways:

Standard Fixture

- When powering on a standard fixture, the display shows the current installed firmware version.
- Go to MENU → INFO → FIRMWARE VERSION (on standard).
- Through RDM

POI Fixture

- Connect either Std or POI uploader cable depending on which is more suitable for the installation
- Launch the SGM RDM Addressing Tool
- Click “Full Discovery” fixture should show in the chart. Firmware will be displayed in the firmware column

To update a fixture with the latest firmware, use an SGM USB 5-Pin-XLR uploader cable, and a Windows-based computer with the SGM Firmware Tool software installed (available for download at www.sgmlight.com).

- Download the SGM Firmware Tool software from the SGM website
- Download latest firmware file from product web page on the SGM website
- Connect either Std or POI uploader cable depending on which is more suitable for the installation
- Launch SGM Firmware Tool on a windows PC
- Click “File” then “Open” and navigate to the firmware file needed, select it and click “Open”
- The firmware is now loaded in the uploader, click “Upload Firmware”

The fixture will now update and reboot

The Firmware Tool software offers a simple DMX controller featuring 512 DMX channels for test purposes.

IT IS RECOMMENDED KEEP FIRMWARE UPDATED. THE LATEST FIRMWARE VERSION IS ALWAYS AVAILABLE FOR DOWNLOAD UNDER THE RESPECTIVE PRODUCT AT WWW.SGMLIGHT.COM.

CLEANING

SGM fixtures with IP65 or IP66-rating do not need any cleaning procedures inside the fixture. However, cleaning the front lens may be needed to achieve the maximum light output after exposure to dust, sand, or dirt. The exterior housing can also be cleaned to get a better look. To maintain adequate cooling, fans must be cleaned periodically.

Whenever necessary, clean the fixture using a soft cloth dampened with a solution of water and a mild detergent. Do not use products that contain solvents, abrasives, or caustic agents for cleaning, as they can cause damage to hardware, cables, and connectors.

The level of cleaning required will vary greatly depending on the operating environment and installation. Therefore, it is recommended to do frequent check-ups the first few weeks of operation to see how often cleaning is necessary.

MAINTENANCE SCHEDULE

ITEM	MAINTENANCE
Keypad and surrounding seal	Inspect each year.
LED engine fans and screws ¹	Inspect and clean each year.
DMX and power connections	Inspect every other year starting at year two.
Outer surfaces, hardware, gaskets ²	Inspect each year.
Outer glass	Clean as needed.

MAINTENANCE NOTES

- In rough service environments such as with dust or fog/haze media in the air, inspect fans every 6 months at minimum.
- If any part is cracked, no matter the size, contact SGM Support.

TROUBLESHOOTING

PROBLEM	POTENTIAL CAUSE(S)	REMEDIES
Fixture does not respond or appears to be completely dead.	No power to the fixture.	Confirm that the power is switched on, confirm that the cables are plugged in. If the cause cannot be detected, contact your local SGM dealer or support@sgmlight.com
Fixture suddenly turned off.	Power was turned off.	Check the power supply, switches and breakers.
Fixture suddenly stopped responding.	The wireless transmitter or connections were disconnected/tampered with.	Inspect the wireless transmitter and connections.
	DMX cables were disconnected.	Inspect DMX cables.
	DMX address changed.	Check settings according to patch.
Fixture operates irregularly / abnormally.	DMX cable polarization is inverted (pin 2 + 3).	Install a phase-inverter or replace cables.
	DMX link is not terminated.	Install a XLR 120 ohm DMX termination at the end of the DMX link.
	Corrupted DMX cable.	Replace or repair defective cables and/or connectors.
	The fixture operates an internal program.	Go to MENU → MANUAL → STOP PROGRAM.
	A corrupted fixture generates noise/disruptions on the DMX link.	Track and isolate the corrupted fixture.
Color is uneven.	The minimum values are out of calibration.	Contact your local SGM dealer or support@sgmlight.com
	The SGM Calibration Data-set has been lost.	Contact your local SGM dealer or support@sgmlight.com

PLEASE NOTE! THE LIST BELOW IS SUBJECT TO CHANGE WITHOUT NOTICE.

ORDERING INFORMATION

Q-8 Flood Strobe, Std, BL	P/N: 80031750
Q-8 Flood Strobe, Std, WH	P/N: 80031751
Q-8 Flood Strobe, Std, CU	P/N: 80031752
Q-8 Flood Strobe, POI, BL	P/N: 80251750
Q-8 Flood Strobe, POI, WH	P/N: 80251751
Q-8 Flood Strobe, POI, CU	P/N: 80251752

ACCESSORIES

4-way barndoors for P-6/Q-8, medium, BL	P/N: 83061173
8-way barndoors for P-6/Q-8, medium, BL	P/N: 83061186
Full anti-glare shield, medium, BL	P/N: 83061176
Full anti-glare shield, medium, WH	P/N: 83061177
Half anti-glare shield, medium, BL	P/N: 83061178
Half anti-glare shield, medium, WH	P/N: 83061179
Filter frame for P-6 / Q-8 – medium angle	P/N: 83061170
Filter frame for P-6 / Q-8 – wide angle	P/N: 83061171
Filter frame for P-6 / Q-8 – elliptical horizontal	P/N: 83061168
Filter frame for P-6 / Q-8 – elliptical vertical	P/N: 83061169
Filter frame extender for P-6 / Q-8	P/N: 83061191
DoPchoice Snapbag for Q-8	P/N: 83061189
DoPchoice Snapgrid for Q-8	P/N: 83061190
Omega bracket with ¼ turn bolts, BL	P/N: 83060602
Omega bracket with ¼ turn bolts, WH	P/N: 83061206
28 mm spigot adapter for omega bracket	P/N: 83060639
Flight case for 4 pcs of P-6 / Q-8 incl. accessories	P/N: 82051509
A-4 Art-Net to DMX converter	P/N: 80070217
Power cable with IP connector	P/N: 07860275
SGM USB uploader cable	P/N: 83062011
Vacuum Test Kit	P/N: 83061136
POI uploader cable	P/N: 83062067
Flat Bracket	P/N: 83060631
Wall Bracket	P/N: 83060631
Universal Bracket	P/N: 83060641

SUPPORT HOTLINE

SGM offers 24/7 technical support.

Worldwide: +45 3840 3840

US: +1 407-242-6217

support@sgmlight.com

APPROVALS AND CERTIFICATIONS

Conforms to

Conforms to

Conforms to

Conforms to

Certified to

2014/35/EU: Low Voltage Directive

2014/30/EU: EMC Directive

2011/65/EU: RoHS2 Directive

ANSI/UL Std. 1573

CSA Std. C22.2 No. 166



The information in this document is subject to change without notice.
For the latest information, visit www.sgmlight.com.



SGM LIGHT A/S

Sommervej 23

8210 Aarhus V

Denmark

Tel: +45 70 20 74 00

info@sgmlight.com

www.sgmlight.com